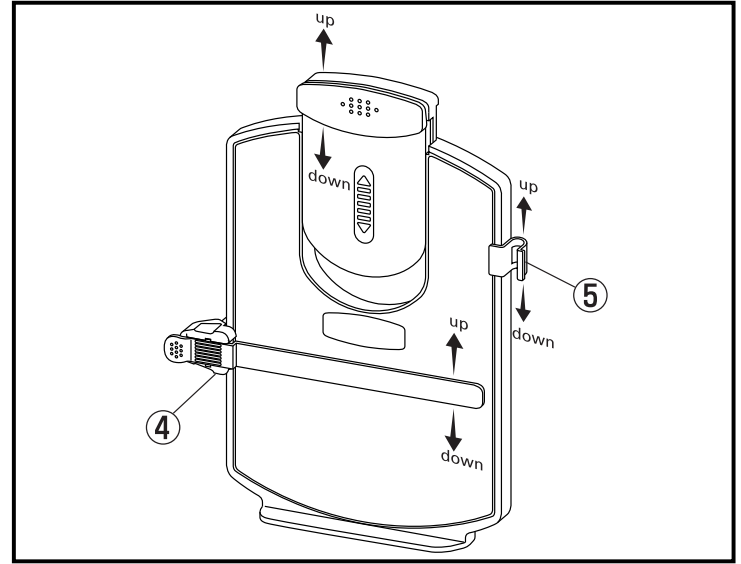
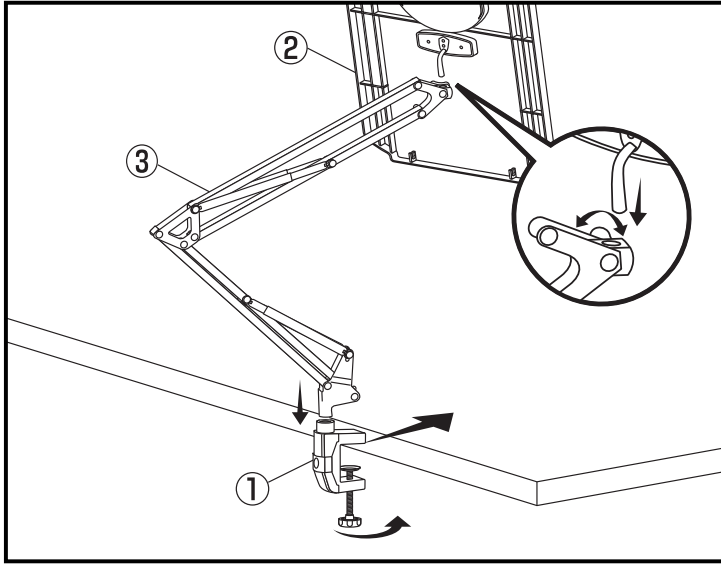


Assembling Instruction :



1. Tighten the clamp on the desk
2. Insert the connector that is attached on the back of the plate into the holder arm
3. Insert the holder arm into the clamp
4. Buckle the ruler into the indentation on the edge of the plate
5. Buckle the pen holder into the indentation opposite to ruler